

T-46-23-12

MOSEL

MS6264

FEBRUARY 1989

8K x 8 CMOS STATIC RAM

FEATURES

- Available in 70/100ns (Max.)
- Automatic power-down when chip disabled
- Lower power consumption:
 - MS6264
 - 300mW (Typ.) Operating
 - 100μW (Typ.) Standby
 - MS6264L
 - 275mW (Typ.) Operating
 - 50μW (Typ.) Standby
- TTL compatible interface levels
- Single 5V power supply
- Fully static operation
- Three state outputs
- Two chip enables (\bar{E}_1 and E_2) for simple memory expansion
- Data retention as low as 2V

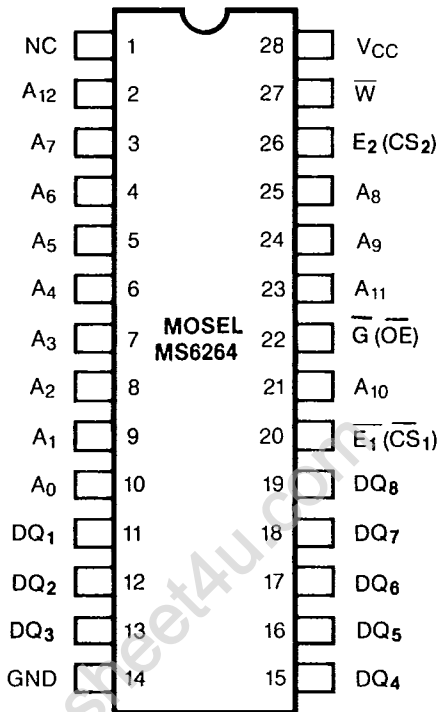
DESCRIPTION

The MOSEL MS6264 is a high performance, low power CMOS static RAM organized as 8192 words by 8 bits. The device supports easy memory expansion with both an active LOW chip enable (\bar{E}_1) and an active High chip enable (E_2), as well as an active LOW output enable (\bar{G}) and tri-state outputs. An automatic power-down feature is included which reduces the chip power by 80% in TTL standby mode, and by over 95% in full power-down mode.

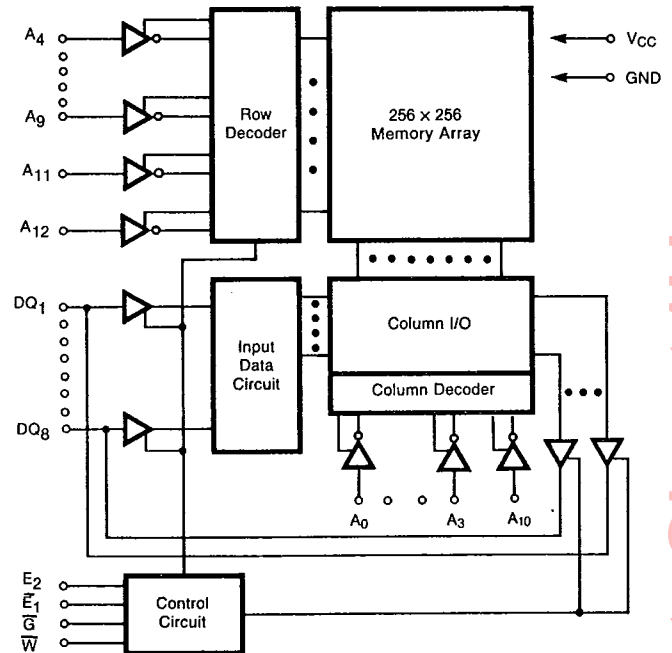
The device is manufactured in MOSEL's high performance CMOS process and operates from a single 5V power supply. All inputs and outputs are TTL compatible. Data is retained to as low as $V_{CC} = 2V$.

The MOSEL MS6264 is packaged in the JEDEC standard 28 pin 600 mil wide DIP and 300 mil wide SOP.

PIN CONFIGURATIONS



FUNCTIONAL BLOCK DIAGRAM



MOSEL 914 W. Maude Avenue, Sunnyvale, CA 94086 (408) 733-4556

Mosel reserves the right to make changes to its products at any time without notice in order to improve design and supply the best possible product. We assume no responsibility for any errors which may appear in this publication.

www.DataSheet4U.com

PIN DESCRIPTIONS

A₀ - A₁₂ Address Inputs

These 13 address inputs select one of the 8192 8-bit words in the RAM.

 \bar{E}_1 Chip Enable 1 Input**E₂ Chip Enable 2 Input**

\bar{E}_1 is active LOW and E₂ is active HIGH. Both chip enables must be active to read from or write to the device. If either chip enable is not active, the device is deselected and is in a standby power mode. The DQ pins will be in the high-impedance state when the device is deselected.

G Output Enable Input

The output enable input is active LOW. If the output enable is active while the chip is selected and the write enable is inactive, data will be present on the DQ pins and they will be enabled. The DQ pins will be in the high-impedance state when \bar{G} is inactive.

 \bar{W} Write Enable Input

The write enable input is active LOW and controls read and write operations. With the chip selected, when \bar{W} is HIGH and \bar{G} is LOW, output data will be present at the DQ pins; when \bar{W} is LOW, the data present on the DQ pins will be written into the selected memory location.

DQ₁ - DQ₈ Data Input/Output Ports

These 8 bidirectional ports are used to read data from or write data into the RAM.

V_{CC} Power Supply**GND Ground**

TRUTH TABLE

MODE	\bar{W}	\bar{E}_1	E ₂	\bar{G}	I/O OPERATION	V _{CC} CURRENT
Not Selected (Power Down)	X	H	X	X	High Z	I _{CCSB} , I _{CCSB1}
	X	X	L	X	High Z	I _{CCSB} , I _{CCSB1}
Output Disabled	H	L	H	H	High Z	I _{CC}
Read	H	L	H	L	D _{OUT}	I _{CC}
Write	L	L	H	X	D _{IN}	I _{CC}

ABSOLUTE MAXIMUM RATINGS⁽¹⁾

SYMBOL	PARAMETER	VALUE	UNIT
V _{TERM}	Terminal Voltage with Respect to GND	-0.5 to +7.0	V
T _{BIAS}	Temperature Under Bias	-10 to +125	°C
T _{STG}	Storage Temperature	-60 to +150	°C
P _T	Power Dissipation	1.0	W
I _{OUT}	DC Output Current	20	mA

1. Stresses greater than those listed under ABSOLUTE MAXIMUM RATINGS may cause permanent damage to the device. This is a stress rating only and functional operation of the device at these or any other conditions above those indicated in the operational sections of this specification is not implied. Exposure to absolute maximum rating conditions for extended periods may affect reliability.

OPERATING RANGE

RANGE	AMBIENT TEMPERATURE	V _{CC}
Commercial	0°C to +70°C	5V ± 10%

CAPACITANCE⁽¹⁾ (T_A = 25°C, f = 1.0MHz)

SYMBOL	PARAMETER	CONDITIONS	MAX.	UNIT
C _{IN}	Input Capacitance	V _{IN} = 0V	6	pF
C _{DQ}	Input/Output Capacitance	V _{DQ} = 0V	8	pF

1. This parameter is guaranteed and not tested.

DC ELECTRICAL CHARACTERISTICS (over the operating range)

PARAMETER NAME	PARAMETER	TEST CONDITIONS	MS6264			MS6264L			UNIT
			MIN.	TYP. ⁽¹⁾	MAX.	MIN.	TYP. ⁽¹⁾	MIN.	
V _{IL}	Guaranteed Input Low Voltage ⁽²⁾		-0.5	—	+0.8	-0.5	—	+0.8	V
V _{IH}	Guaranteed Input High Voltage ⁽²⁾		2.2	3.5	6.0	2.2	3.5	6.0	V
I _{IL}	Input Leakage Current	V _{CC} = Max, V _{IN} = 0V to V _{CC}	—	—	2	—	—	2	μA
I _{OL}	Output Leakage Current	V _{CC} = Max, $\bar{E}_1 = V_{IH}$ or E ₂ = V _{IL} or $\bar{G} = V_{IH}$, V _{IN} = 0V to V _{CC}	—	—	2	—	—	2	μA
V _{OL}	Output Low Voltage	V _{CC} = Min, I _{OL} = 4mA	—	—	0.4	—	—	0.4	V
V _{OH}	Output High Voltage	V _{CC} = Min, I _{OH} = -1mA	2.4	—	—	2.4	—	—	V
I _{CC}	Operating Power Supply Current	V _{CC} = Max, $\bar{E}_1 = V_{IL}$, E ₂ = V _{IH} , I _{DQ} = 0mA, F = F _{max} ⁽³⁾	—	50	90	—	45	85	mA
I _{CCSB}	Standby Power Supply Current	V _{CC} = Max, $\bar{E}_1 = V_{IH}$ or E ₂ = V _{IL} , I _{DQ} = 0mA	—	—	3	—	—	3	mA
I _{CCSB1}	Power Down Power Supply Current	V _{CC} = Max, $\bar{E}_1 > V_{CC} - 0.2V$, E ₂ < 0.2V V _{IN} > V _{CC} - 0.2V or V _{IN} < 0.2V	—	.02	2	—	.01	0.1	mA

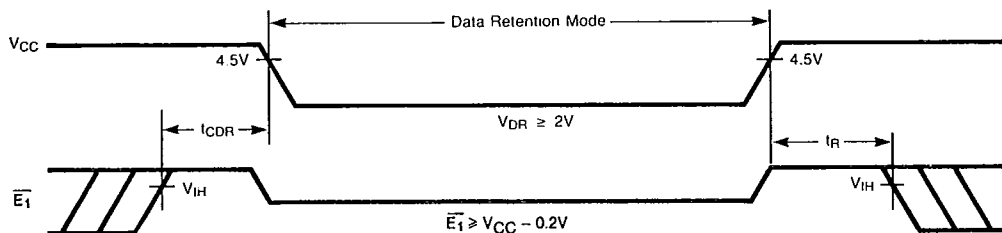
1. Typical characteristics are at V_{CC} = 5V, T_A = 25°C.
2. These are absolute values with respect to device ground and all overshoots due to system or tester noise are included.
3. F_{MAX} = 1/T_{RC}

DATA RETENTION CHARACTERISTICS (T_A = 0 to +70°C)

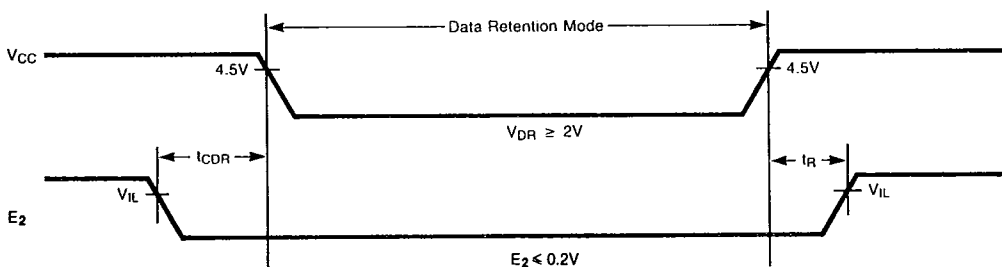
SYMBOL	PARAMETER	TEST CONDITIONS	MIN.	TYP. ⁽¹⁾	MAX.	UNIT
V _{DR}	V _{CC} for Data Retention	$\bar{E}_1 \geq V_{CC} - 0.2V$, or E ₂ ≤ 0.2V, V _{IN} ≥ V _{CC} - 0.2V or V _{IN} ≤ 0.2V	2.0	—	—	V
I _{CCDR}	Data Retention Current	$\bar{E}_1 \geq V_{CC} - 0.2V$, or E ₂ ≤ 0.2V, V _{IN} ≥ V _{CC} - 0.2V or V _{IN} ≤ 0.2V	—	2	50	μA
t _{CDR}	Chip Deselect to Data Retention Time	See Retention Waveform	0	—	—	ns
t _R	Operation Recovery Time		t _{RC} ⁽²⁾	—	—	ns

1. V_{CC} = 2V, T_A = +25°C
2. t_{RC} = Read Cycle Time

LOW V_{CC} DATA RETENTION WAVEFORM (1) (\bar{E}_1 Controlled)



LOW V_{CC} DATA RETENTION WAVEFORM (2) (E₂ Controlled)



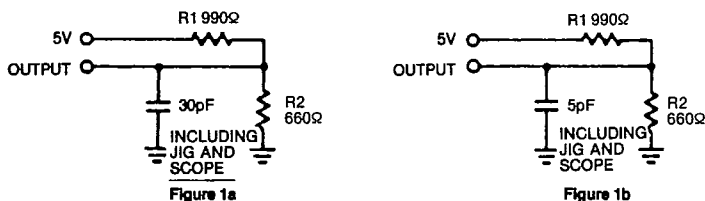
AC TEST CONDITIONS

Input Pulse Levels	0V to 3.0V
Input Rise and Fall Times	5ns
Input and Output Timing Reference Level	1.5V

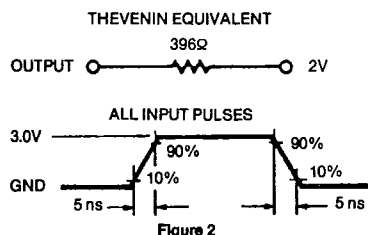
KEY TO SWITCHING WAVEFORMS

WAVEFORM	INPUTS	OUTPUTS
	MUST BE STEADY	WILL BE STEADY
	MAY CHANGE FROM H TO L	WILL BE CHANGING FROM H TO L
	MAY CHANGE FROM L TO H	WILL BE CHANGING FROM L TO H
	DON'T CARE: ANY CHANGE PERMITTED	CHANGING: STATE UNKNOWN
	DOES NOT APPLY	CENTER LINE IS HIGH IMPEDANCE "OFF" STATE

AC TEST LOADS AND WAVEFORMS



Equivalent to:



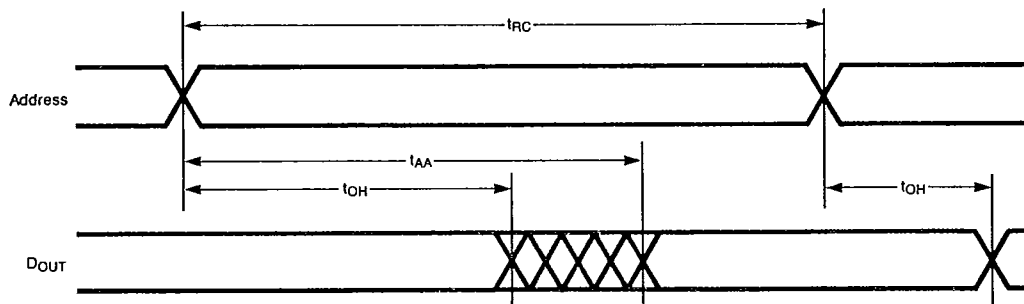
AC ELECTRICAL CHARACTERISTICS (over the operating range)

READ CYCLE

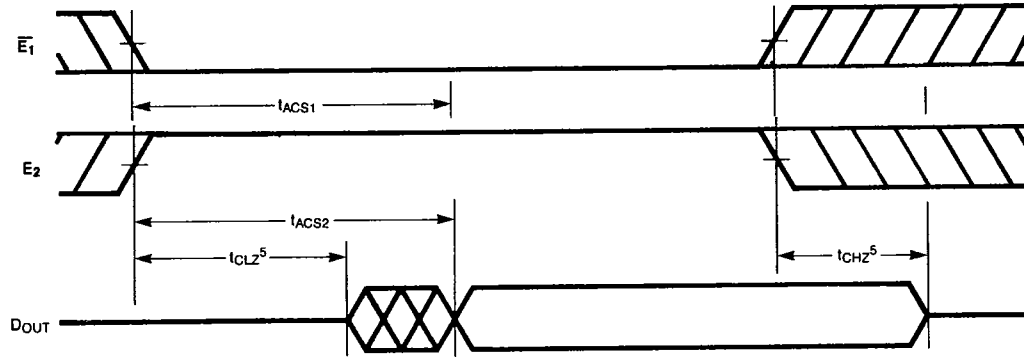
JEDEC PARAMETER NAME	PARAMETER NAME	PARAMETER	MS6264-70 MS6264L-70			MS6264-10 MS6264L-10			UNIT
			MIN.	TYP.	MAX.	MIN.	TYP.	MAX.	
t_{AVAX}	t_{RC}	Read Cycle Time	70	—	—	100	—	—	ns
t_{AVQV}	t_{AA}	Address Access Time	—	—	70	—	—	100	ns
t_{E1LQV}	t_{ACS1}	Chip Select Access Time \bar{E}_1	—	—	70	—	—	100	ns
t_{E2HQV}	t_{ACS2}	Chip Select Access Time E_2	—	—	70	—	—	100	ns
t_{GLQV}	t_{OE}	Output Enable to Output Valid	—	—	35	—	—	50	ns
t_{E1LQX}	t_{CLZ1}	Chip Select to Output Low Z \bar{E}_1	5	—	—	5	—	—	ns
t_{E2HQX}	t_{CLZ2}	Chip Select to Output Low Z E_2	5	—	—	5	—	—	ns
t_{GLQX}	t_{OLZ}	Output Enable to Output in Low Z	5	—	—	5	—	—	ns
t_{E1HQZ}	t_{CHZ1}	Chip Deselect to Output in High Z \bar{E}_1	0	—	35	0	—	35	ns
t_{E2HQZ}	t_{CHZ2}	Chip Deselect to Output in High Z E_2	0	—	35	0	—	35	ns
t_{GHQZ}	t_{OHZ}	Output Disable to Output in High Z	0	—	30	0	—	35	ns
t_{AXQX}	t_{OH}	Output Hold from Address Change	5	—	—	5	—	—	ns

SWITCHING WAVEFORMS (READ CYCLE)

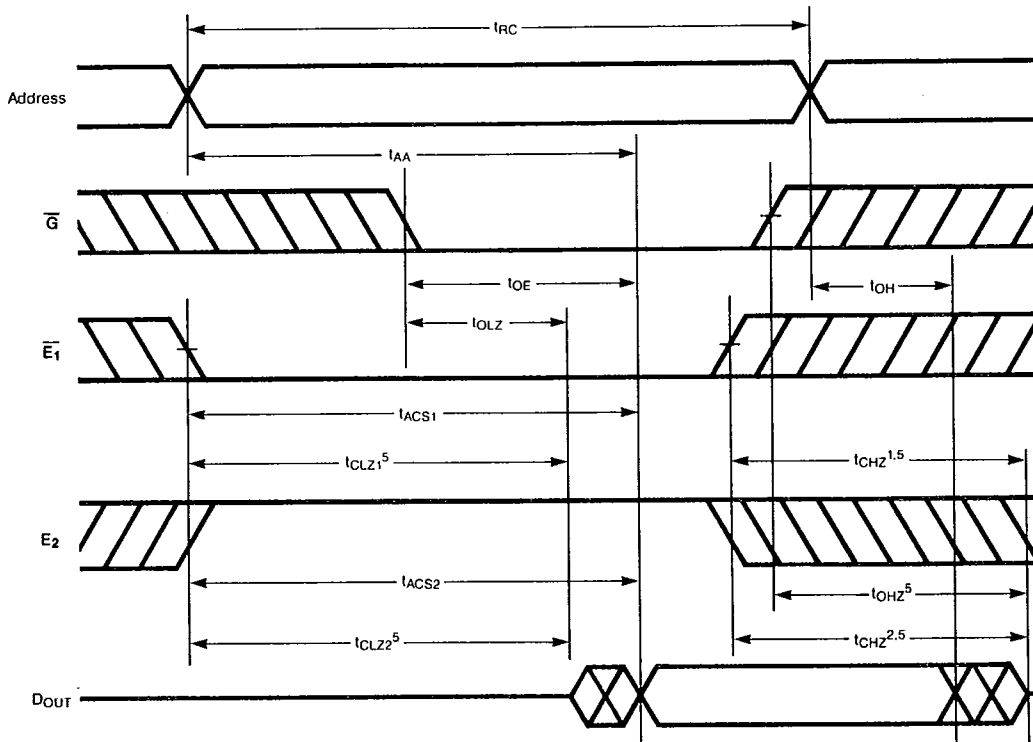
READ CYCLE 1 (1,2,4)



READ CYCLE 2 (1,3,4)



READ CYCLE 3 (1,4)



- NOTES:
1. \bar{W} is high for READ cycle.
 2. Device is continuously selected $\bar{E}_1 = V_{IL}$ and $E_2 = V_{IH}$.
 3. Address valid prior to or coincident with \bar{E}_1 transition low and/or E_2 transition high.
 4. $\bar{G} = V_{IL}$.
 5. Transition is measured $\pm 500mV$ from steady state with $C_L = 5pF$ as shown in Figure 1b. This parameter is guaranteed but not 100% tested.

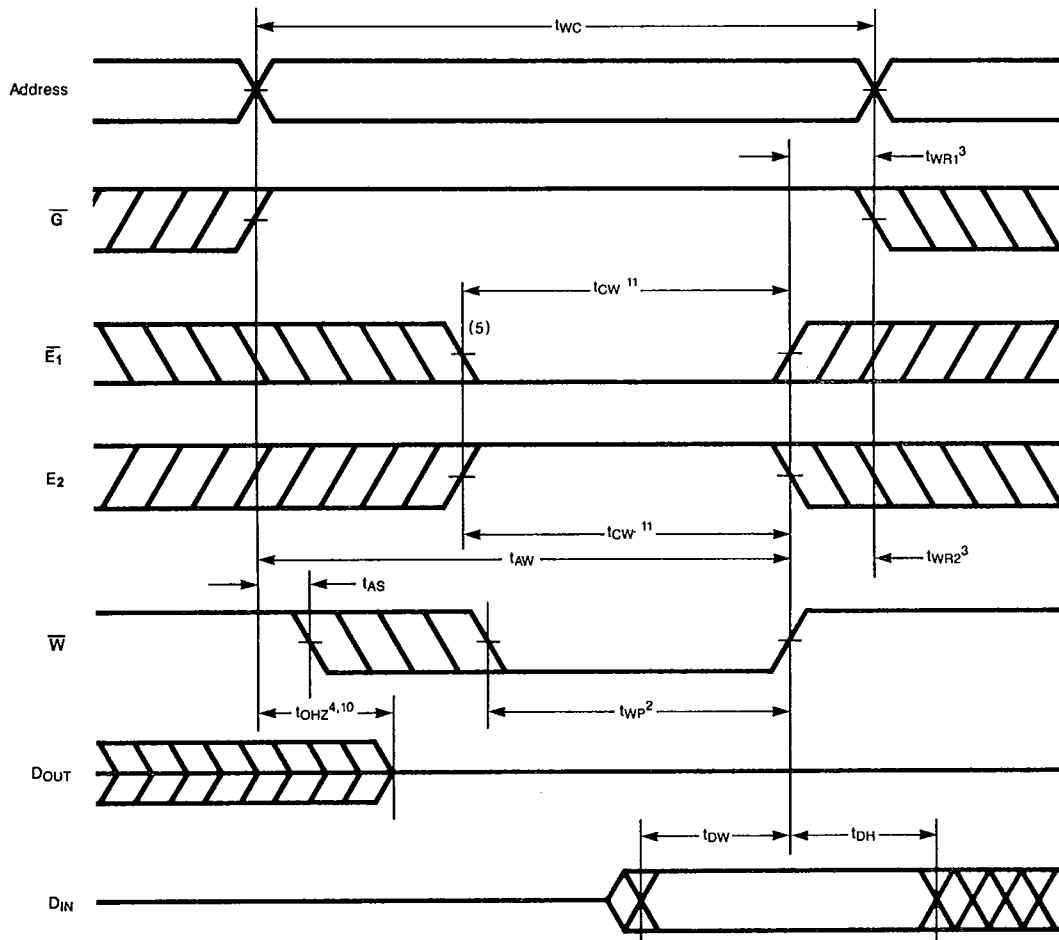
AC ELECTRICAL CHARACTERISTICS (over the operating range)

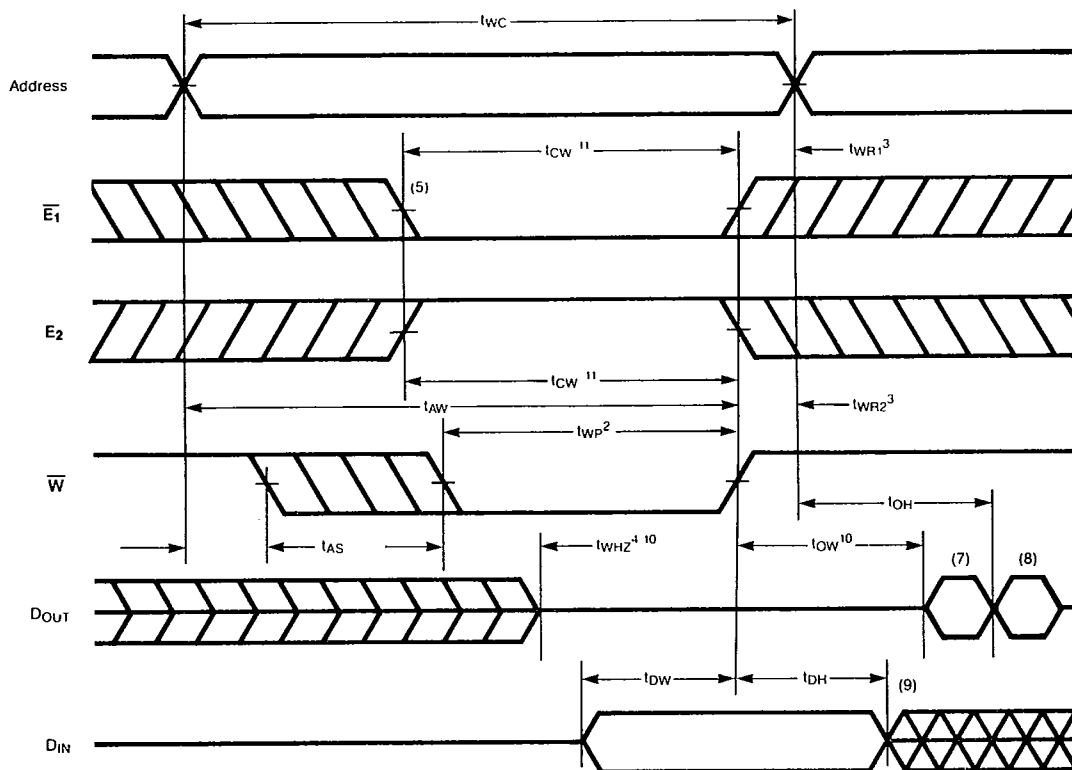
WRITE CYCLE

JEDEC PARAMETER NAME	PARAMETER NAME	PARAMETER	MS6264-70 MS6264L-70			MS6264-10 MS6264L-10			UNIT
			MIN.	TYP.	MAX.	MIN.	TYP.	MAX.	
t_{AVAX}	t_{WC}	Write Cycle Time	70	—	—	100	—	—	ns
t_{E1LWH}	t_{CW}	Chip Select to End of Write	45	—	—	80	—	—	ns
t_{AVWL}	t_{AS}	Address Setup Time	0	—	—	0	—	—	ns
t_{AVWH}	t_{AW}	Address Valid to End of Write	65	—	—	80	—	—	ns
t_{WLWH}	t_{WP}	Write Pulse Width	45	—	—	60	—	—	ns
t_{WHAX}	t_{WR1}	Write Recovery Time E_1, \bar{W}	5	—	—	5	—	—	ns
t_{E2LAX}	t_{WR2}	Write Recovery Time E_2	5	—	—	5	—	—	ns
t_{WLQZ}	t_{WHZ}	Write to Output in High Z	0	—	30	—	—	35	ns
t_{DVWH}	t_{DW}	Data to Write Time Overlap	30	—	—	40	—	—	ns
t_{WHDX}	t_{DH}	Data Hold from Write Time	5	—	—	5	—	—	ns
t_{GHQZ}	t_{OHZ}	Output Disable to Output in High Z	0	—	30	0	—	35	ns
t_{WHQX}	t_{OW}	End of Write to Output Active	5	—	—	5	—	—	ns

SWITCHING WAVEFORMS (WRITE CYCLE)

WRITE CYCLE 1⁽¹⁾



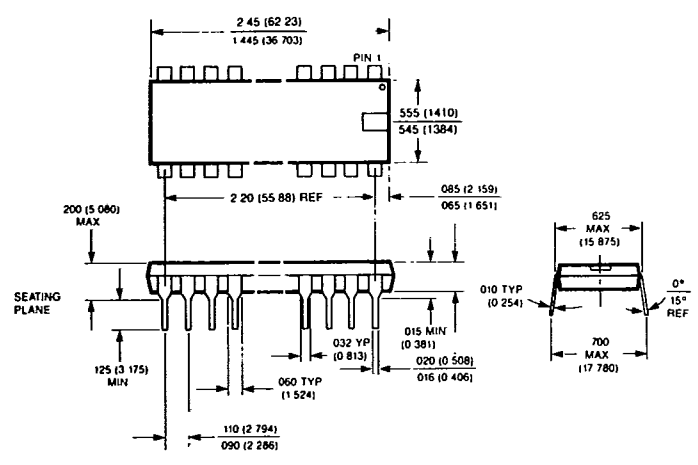
WRITE CYCLE 2^(1,6)

- NOTES:
- \bar{W} must be high during address transitions.
 - The internal write time of the memory is defined by the overlap of \bar{E}_1 and E_2 active and \bar{W} low. All signals must be active to initiate a write and any one signal can terminate a write by going inactive. The data input setup and hold timing should be referenced to the second transition edge of the signal that terminates the write.
 - t_{WR} is measured from the earlier of \bar{E}_1 or \bar{W} going high or E_2 going low at the end of write cycle.
 - During this period, DQ pins are in the output state so that the input signals of opposite phase to the outputs must not be applied.
 - If the \bar{E}_1 low transition or the E_2 high transition occurs simultaneously with the \bar{W} low transitions or after the \bar{W} transition, outputs remain in a high impedance state.
 - \bar{G} is continuously low ($\bar{G} = V_{IL}$).
 - D_{OUT} is the same phase of write data of this write cycle.
 - D_{OUT} is the read data of next address.
 - If \bar{E}_1 is low and E_2 is high during this period, DQ pins are in the output state. Then the data input signals of opposite phase to the outputs must not be applied to them.
 - Transition is measured $\pm 500mV$ from steady state with $C_L = 5pF$ as shown in Figure 1b on page 4. This parameter is guaranteed but not 100% tested.
 - t_{CW} is measured from the later of \bar{E}_1 going low or E_2 going high to the end of write.

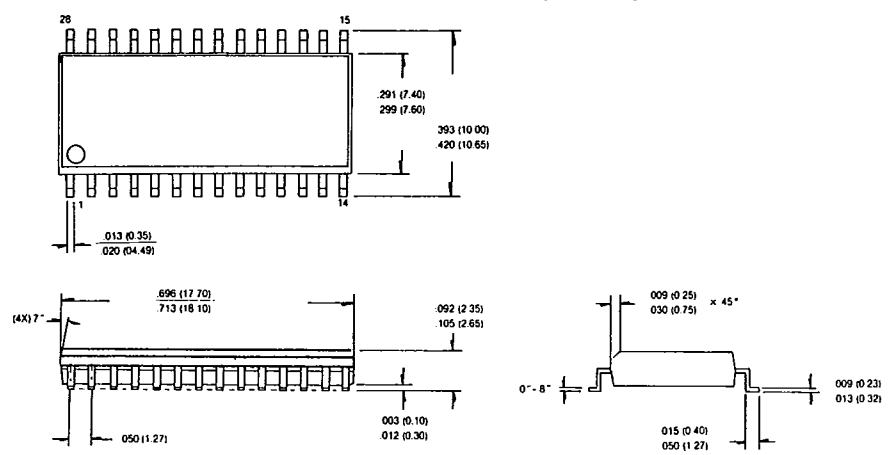
MS6264

PACKAGE DIAGRAMS

PLASTIC DUAL IN-LINE PACKAGE 600 MIL (PD6028)



PLASTIC SMALL-OUTLINE PACKAGE (SGN028)



ORDERING INFORMATION

SPEED (ns)	ORDER PART NUMBER	PACKAGE	TEMPERATURE RANGE
70	MS6264-70PC	Plastic DIP - 600 mil	0°C to +70°C
70	MS6264-70SC	Plastic Small Outline Package	0°C to +70°C
70	MS6264L-70PC	Plastic DIP - 600 mil	0°C to +70°C
70	MS6264L-70SC	Plastic Small Outline Package	0°C to +70°C
100	MS6264-10PC	Plastic DIP - 600 mil	0°C to +70°C
100	MS6264-10SC	Plastic Small Outline Package	0°C to +70°C
100	MS6264L-10PC	Plastic DIP - 600 mil	0°C to +70°C
100	MS6264L-10SC	Plastic Small Outline Package	0°C to +70°C